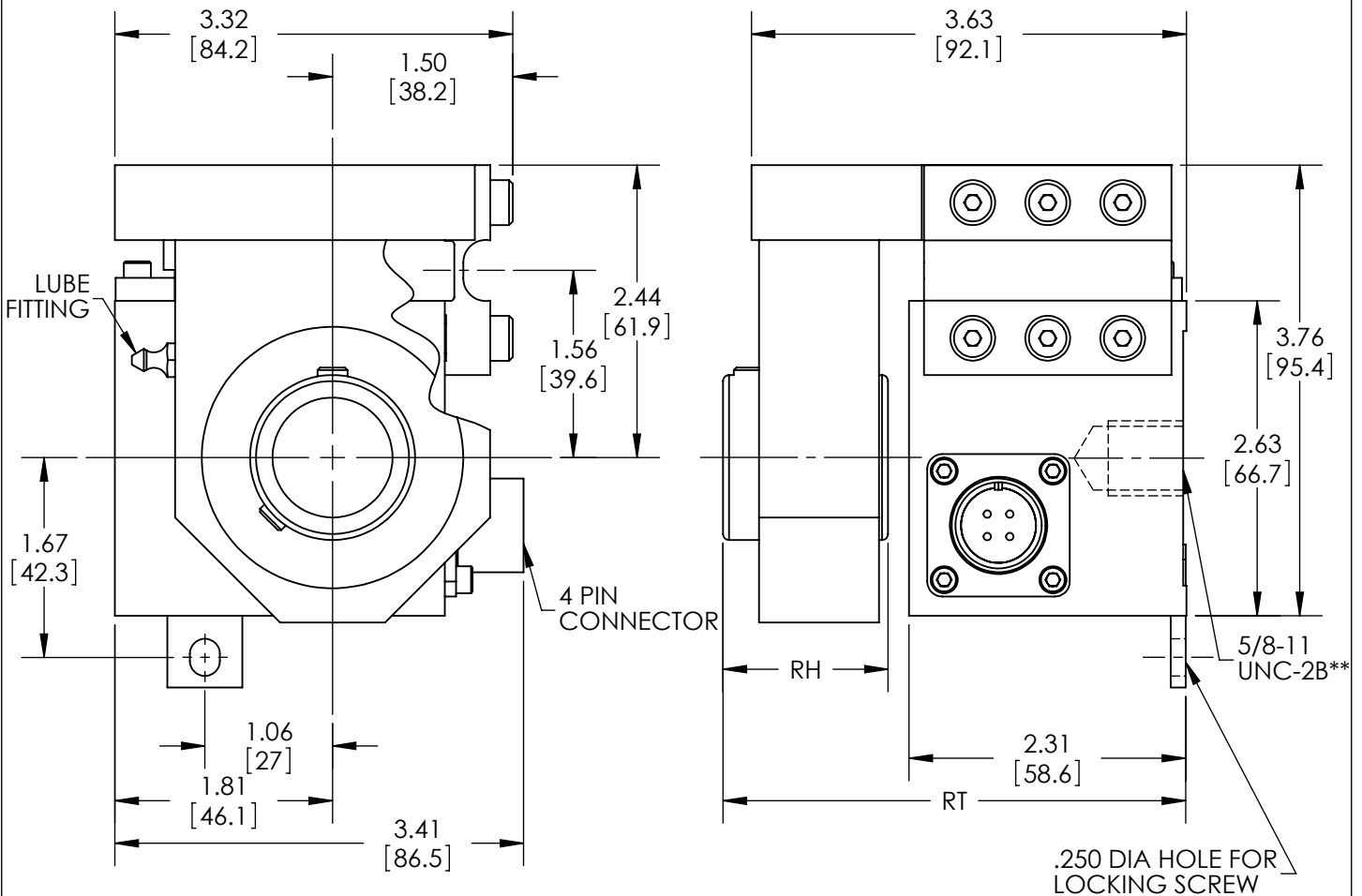


TENSIONCELL MODEL C30

ROTATING SHAFT MOUNTING

| CAPACITY RANGE (lbs) | | | | | | | | | | | |
|----------------------|-----|-----|------|------|------|------|------|-------|-------|-------|-------|
| NOMINAL | 0-4 | 0-8 | 0-13 | 0-20 | 0-30 | 0-50 | 0-90 | 0-140 | 0-200 | 0-300 | 0-500 |
| CODE | L* | M* | N | P | S | T | U | W | X | Y | Z |



Fifteen standard shaft diameters. See table below.
W1 unit shown here. W2 unit is applied at the opposite end of roll.
W1 unit clamps the shaft while W2 unit allows for temperature expansion of the shaft.
Both units have self-aligning feature.

| SHAFT DIAMETER (in) | | | | | | | | | | | | | | | | |
|---------------------|------|------|------|------|------|------|------|------|-------|-------|-------|-------|-------|-------|-------|--|
| INCHES | .500 | .563 | .625 | .688 | .750 | .875 | .938 | 1.00 | 1.063 | 1.125 | 1.188 | 1.250 | 1.313 | 1.375 | 1.438 | |
| CODE | 08 | 09 | 10 | 11 | 12 | 14 | 15 | 16 | 17 | 18 | 19 | 20 | 21 | 22 | 23 | |
| RH | 1.31 | | | | 1.38 | | | | 1.53 | | | | 1.69 | | | |
| RT | 3.88 | | | | | | | | 4.03 | | | | 4.13 | | | |

*Tensioncells in this range supplied for shaft sizes up to maximum 3/4" diameter unless approved by factory.
**Comptrol wall mount Tensioncells are mounted with a 5/8-11 UNC-2B bolt at the roll centerline and a locking screw through the locating tab which maintains rotational position of the Tensioncell.