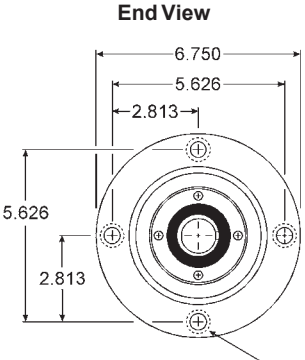
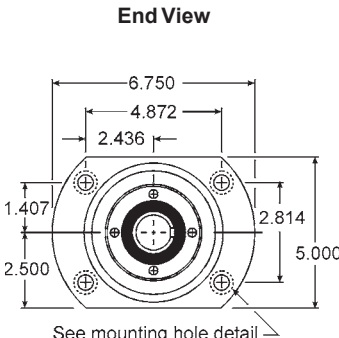


# COMPTROL BEARING BLOCKS FOR 2.000 DIAMETER BALLSCREWS

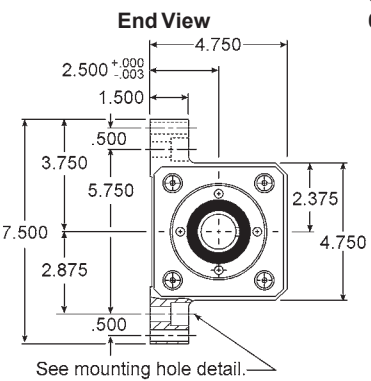


Flange Mount	Model	Shaft End	Model	Shaft End	Model	Shaft End
 <p>End View</p> <p>See mounting hole detail.</p>	<b>66-205-A</b>	Driven	<b>66-205-B</b>	Driven	<b>66-205-C</b>	Driven
	<b>66-205-A1</b>	Non-Driven	<b>66-205-B1</b>	Non-Driven	<b>66-205-C1</b>	Non-Driven

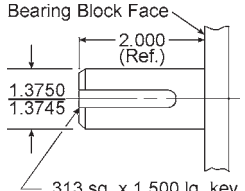
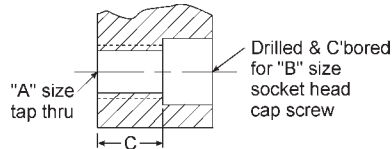
Note: For each Type A or A1 bearing block required, add .250" to ballscrew thread length.

Cut-Off Flange Mount	Model	Shaft End	Model	Shaft End	Model	Shaft End
 <p>End View</p> <p>See mounting hole detail.</p>	<b>66-305-A</b>	Driven	<b>66-305-B</b>	Driven	<b>66-305-C</b>	Driven
	<b>66-305-A1</b>	Non-Driven	<b>66-305-B1</b>	Non-Driven	<b>66-305-C1</b>	Non-Driven

Note: For each Type A or A1 bearing block required, add .250" to ballscrew thread length.

Base Mount	Model	Shaft End	Model	Shaft End	Model	Shaft End
 <p>End View</p> <p>See mounting hole detail.</p>	<b>66-405-A</b>	Driven	<b>66-405-B</b>	Driven	<b>66-405-C</b>	Driven
	<b>66-405-A1</b>	Non-Driven	<b>66-405-B1</b>	Non-Driven	<b>66-405-C1</b>	Non-Driven

Note: For each Type A or A1 bearing block required, add .250" to ballscrew thread length.

Standard Drive Extension	Mounting Hole Detail	Model Number Designation
 <p>Bearing Block Face</p> <p>2.000 (Ref.)</p> <p>1.3750</p> <p>1.3745</p> <p>.313 sq. x 1.500 lg. key</p> <p>Note: Special lengths available.</p>	 <p>"A" size tap thru</p> <p>Drilled &amp; C'bored for "B" size socket head cap screw</p> <p>C</p>	<p><b>66 - X 0 5 - X X</b></p> <p><b>Bearing Block</b></p> <p><b>Mounting Style</b></p> <p>2 = Flange</p> <p>3 = Cut-Off Flange</p> <p>4 = Base</p> <p><b>2.000 Diameter Ballscrew</b></p> <p><b>Shaft End</b></p> <p>Blank = Driven</p> <p>1 = Non-Driven</p> <p><b>Bearing Type</b></p> <p>A = Radial</p> <p>B = Duplex</p> <p>C = Spaced</p>

- Notes**
- All dimensions in inches unless otherwise specified.
  - Refer to Page 3 for Nominal Load Capacities.
  - End journals must be machined per dimensions on Page 13.
  - Custom and metric bearing block assemblies and/or drive end journals are available.
  - Dimensions and specifications subject to change without notice.