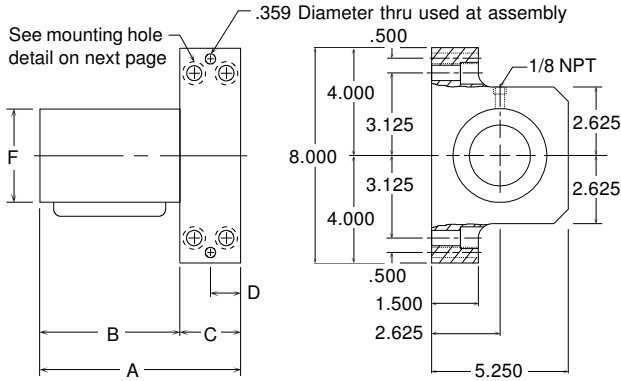




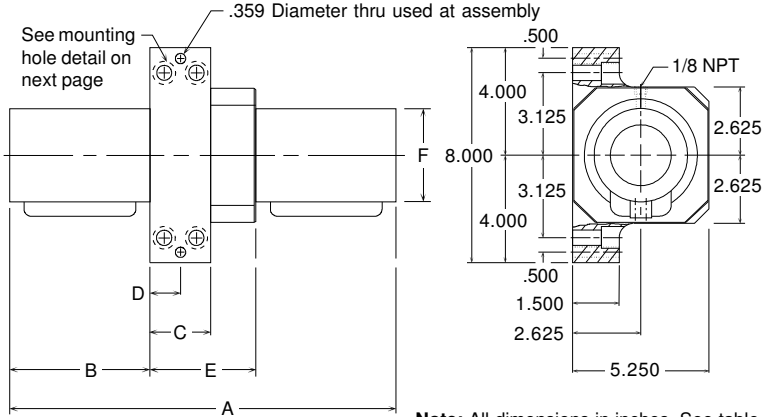
## Non-Preloaded Single Nut Assemblies

## Zero Backlash Preloaded Assemblies

Base

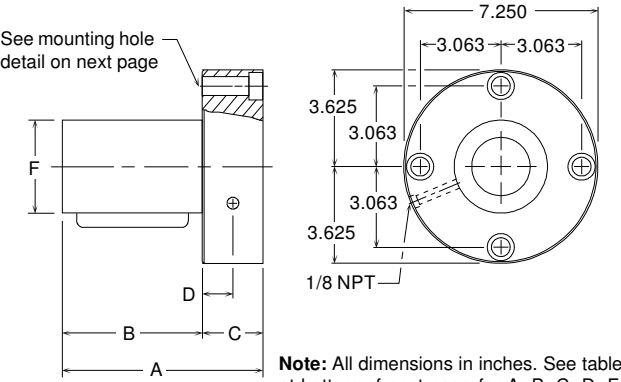


**Note:** All dimensions in inches. See table at bottom of next page for A, B, C, D, F and ballnut clearance dimensions.

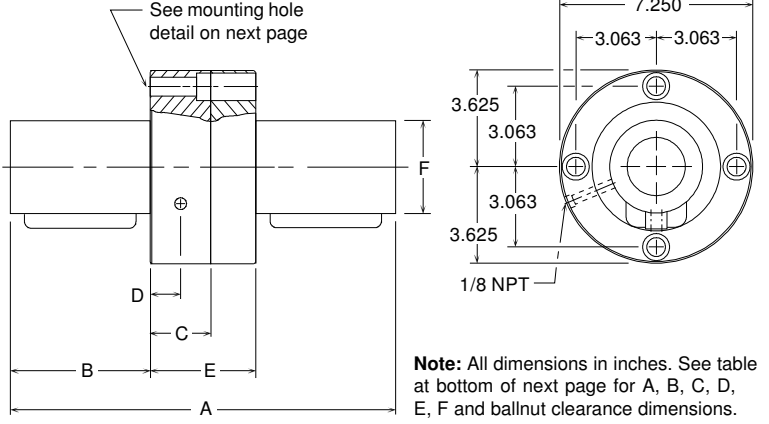


**Note:** All dimensions in inches. See table at bottom of next page for A, B, C, D, E, F and ballnut clearance dimensions.

Flange

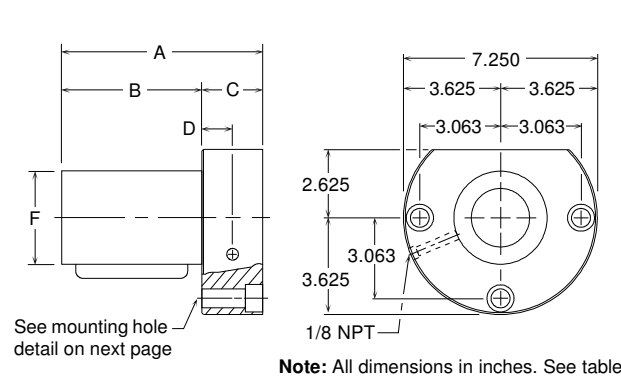


**Note:** All dimensions in inches. See table at bottom of next page for A, B, C, D, F and ballnut clearance dimensions.

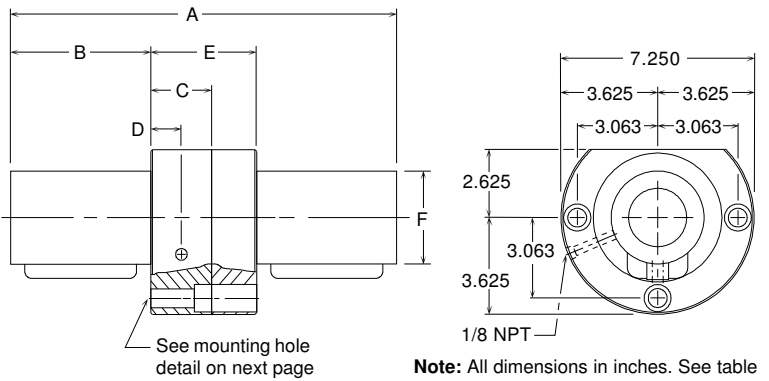


**Note:** All dimensions in inches. See table at bottom of next page for A, B, C, D, E, F and ballnut clearance dimensions.

Cut-Off Flange

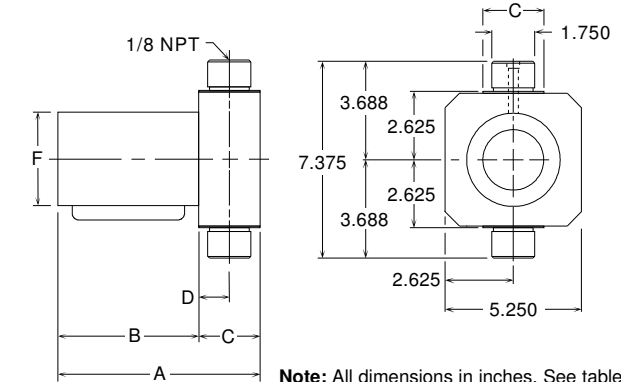


**Note:** All dimensions in inches. See table at bottom of next page for A, B, C, D, F and ballnut clearance dimensions.

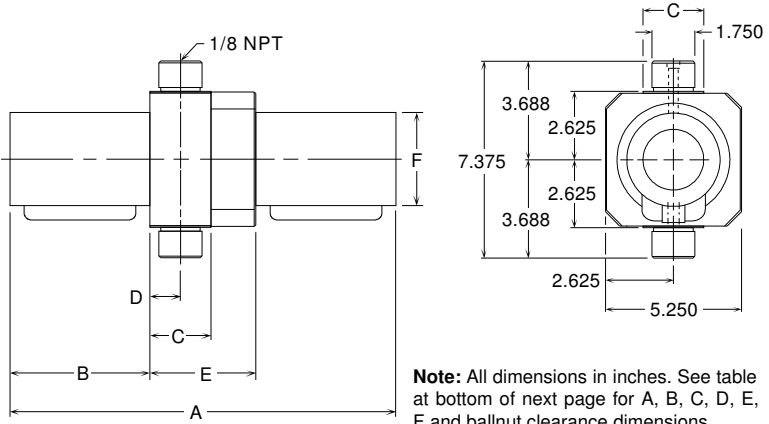


**Note:** All dimensions in inches. See table at bottom of next page for A, B, C, D, E, F and ballnut clearance dimensions.

Trunion



**Note:** All dimensions in inches. See table at bottom of next page for A, B, C, D, F and ballnut clearance



**Note:** All dimensions in inches. See table at bottom of next page for A, B, C, D, E, F and ballnut clearance dimensions.