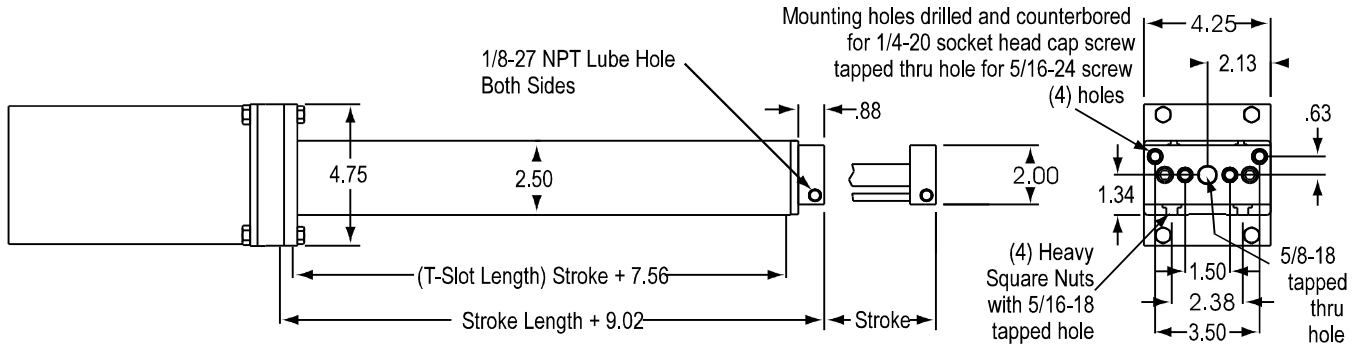


# COMPTROL SERIES 40A POSITIONER

## DIMENSIONS

### In-Line



### Parallel

