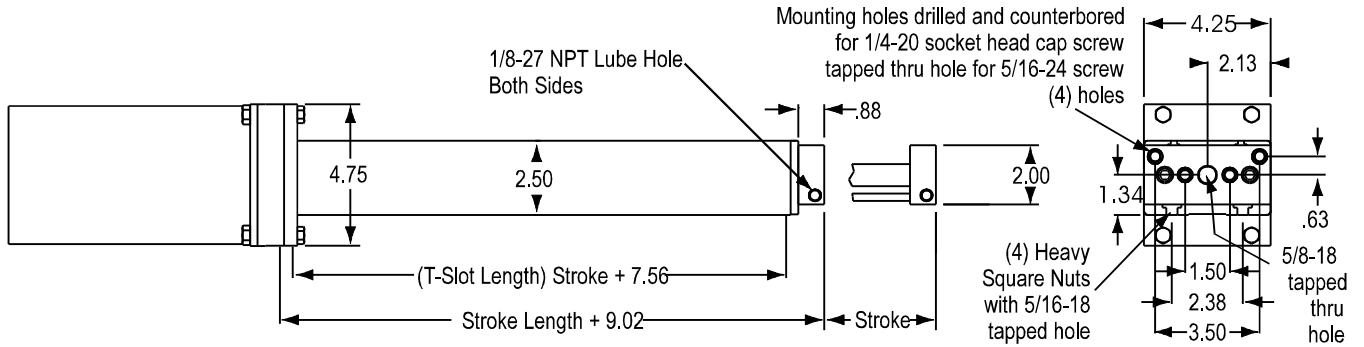


COMPTROL SERIES 20A POSITIONER

DIMENSIONS

In-Line



Parallel

