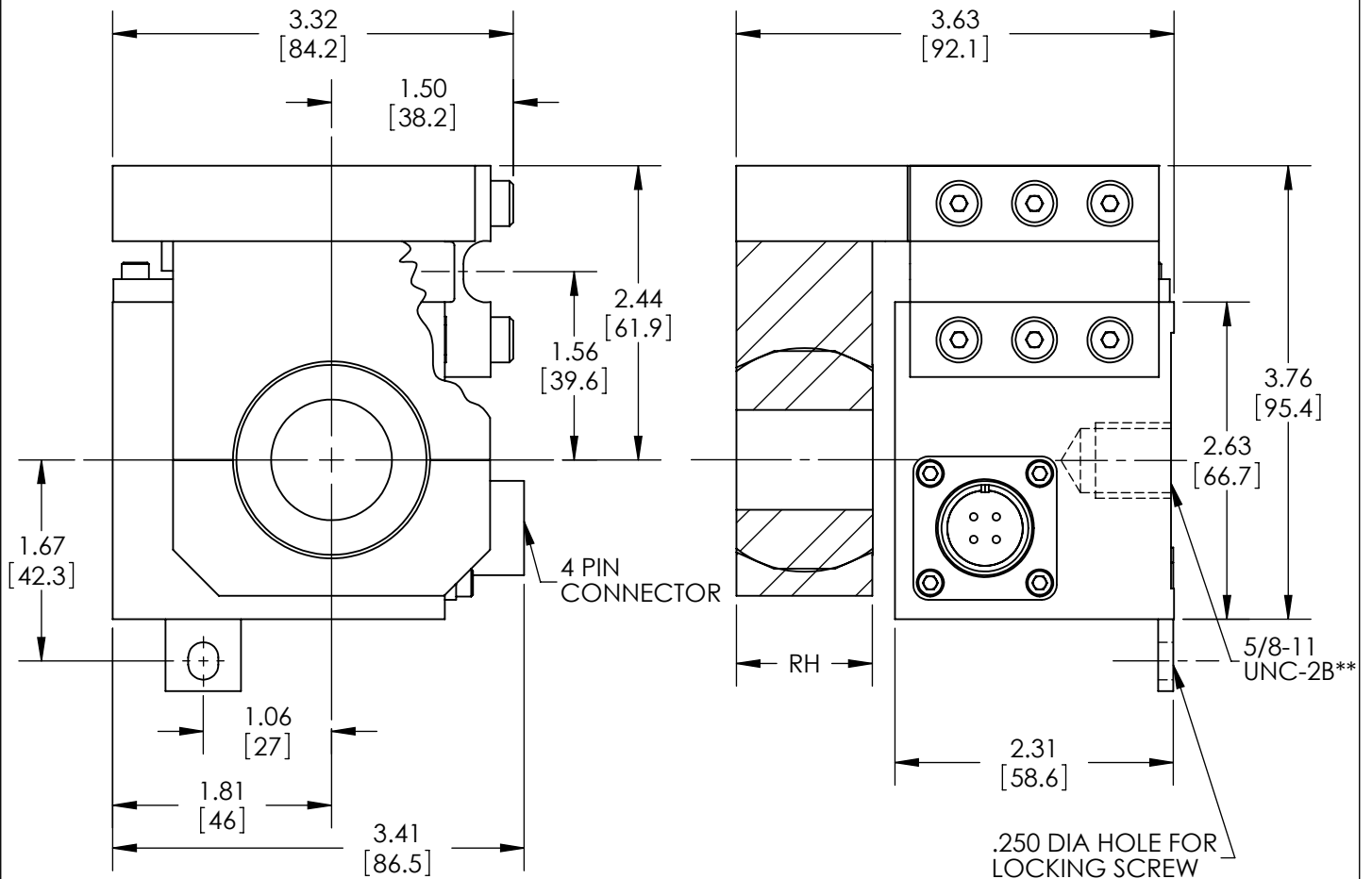


## TENSIONCELL MODEL B30 NON-ROTATING SHAFT MOUNTING

CAPACITY RANGE (lbs)											
NOMINAL	0-4	0-8	0-13	0-20	0-30	0-50	0-90	0-140	0-200	0-300	0-500
CODE	L*	M*	N	P	S	T	U	W	X	Y	Z



W1 unit shown here.  
W2 unit is applied at the opposite end of the roll.  
W1 unit clamps the shaft while W2 unit allows for temperature expansion of the shaft.  
Both units have self-aligning feature.

SHAFT DIAMETER (in)									
INCHES	.500	.625	.750	.875	1.00	1.125	1.250	1.375	1.500
CODE	08	10	12	14	16	18	20	22	24
RH	1.00				1.13				

\*Tensioncells in this range supplied for shaft sizes up to maximum 3/4" diameter unless approved by factory.  
\*\*Comptrol wall mount Tensioncells are mounted with a 5/8-11 UNC-2B bolt at the roll centerline and a locking screw through the locating tab which maintains rotational position of the Tensioncell.