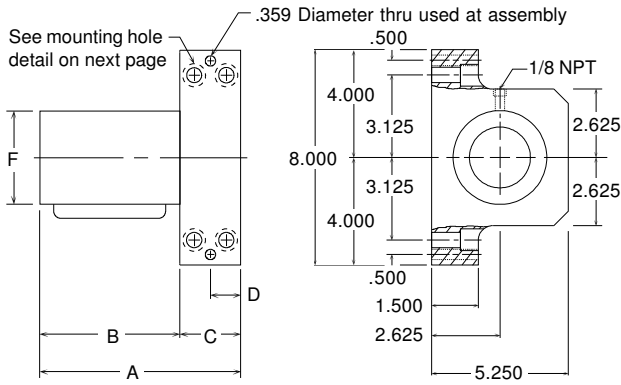




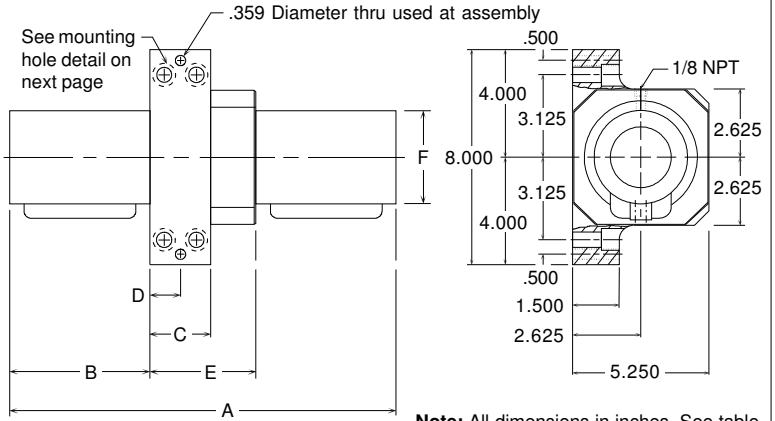
Non-Preloaded Single Nut Assemblies

Zero Backlash Preloaded Assemblies

Base

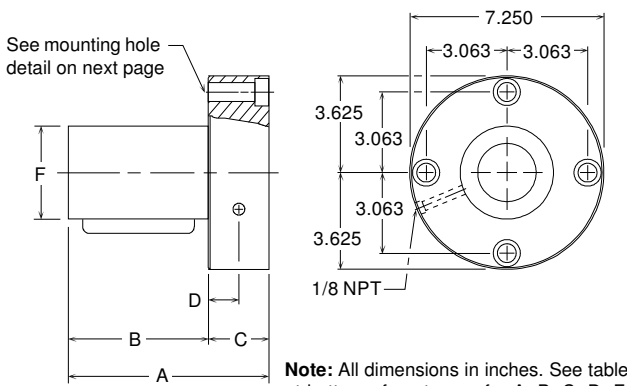


Note: All dimensions in inches. See table at bottom of next page for A, B, C, D, F and ballnut clearance dimensions.

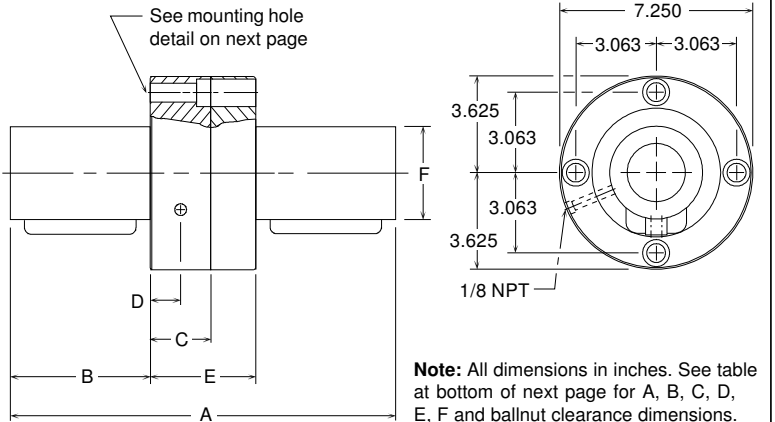


Note: All dimensions in inches. See table at bottom of next page for A, B, C, D, E, F and ballnut clearance dimensions.

Flange

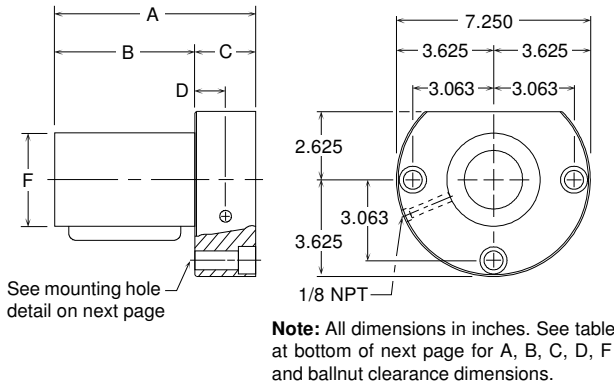


Note: All dimensions in inches. See table at bottom of next page for A, B, C, D, F and ballnut clearance dimensions.

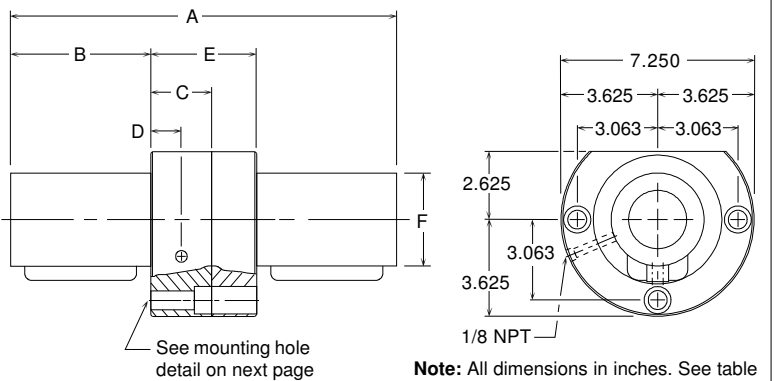


Note: All dimensions in inches. See table at bottom of next page for A, B, C, D, E, F and ballnut clearance dimensions.

Cut-Off Flange

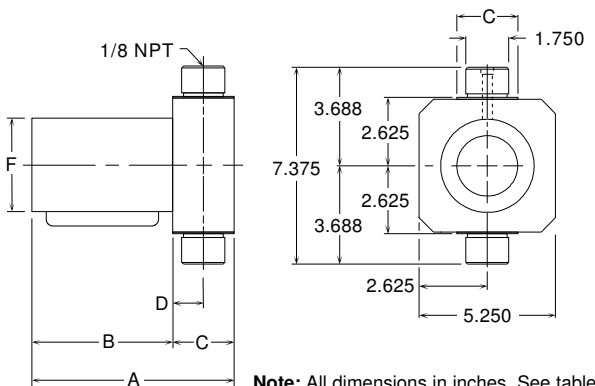


Note: All dimensions in inches. See table at bottom of next page for A, B, C, D, F and ballnut clearance dimensions.

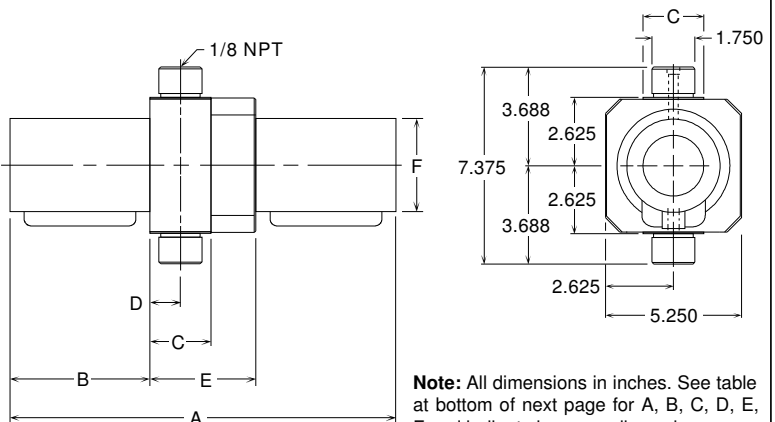


Note: All dimensions in inches. See table at bottom of next page for A, B, C, D, E, F and ballnut clearance dimensions.

Trunnion



Note: All dimensions in inches. See table at bottom of next page for A, B, C, D, F and ballnut clearance dimensions.



Note: All dimensions in inches. See table at bottom of next page for A, B, C, D, E, F and ballnut clearance dimensions.